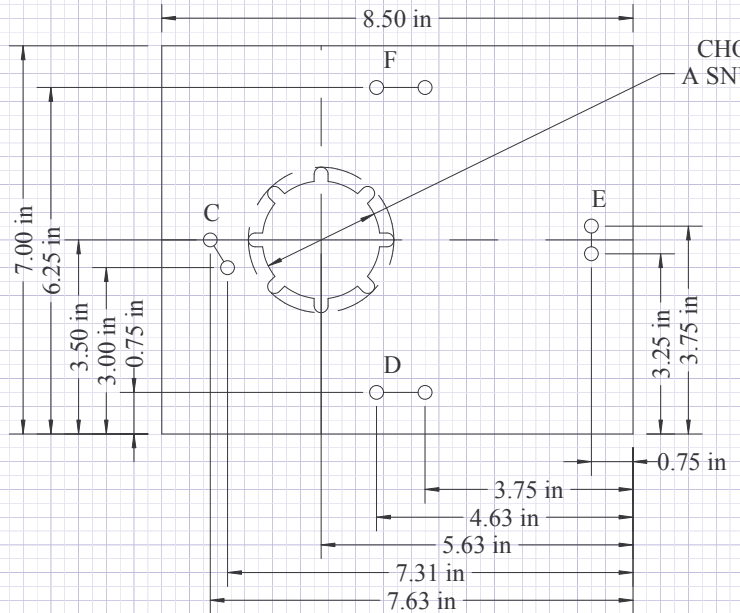
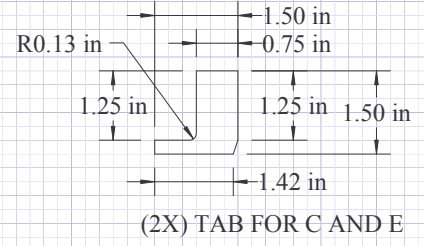
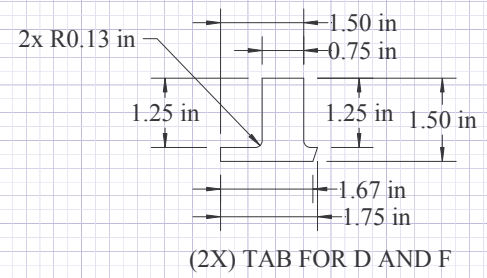
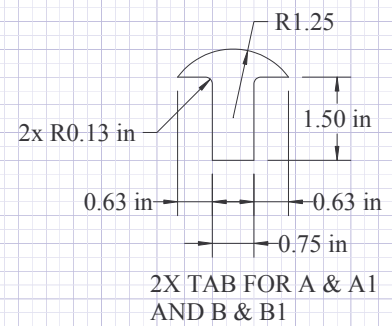


STAPLE TABS TO FIT RECTANGULAR MOUNTING PIECE SLOT WITH THE SAME LETTER.



CHOOSE A DIAMETER THAT RESULTS IN A SNUG FIT WITH THE OUTSIDE DIAMETER OF YOUR FOCUSER.



FOCUSER LIGHT SHIELD
BY DON PECKHAM
OCT 2007